

EDSBYN

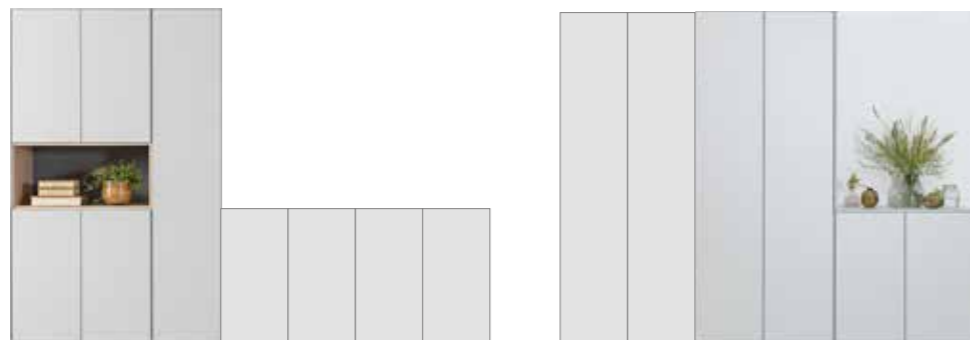


Shape

Dynamic and practical storage with a focus on flexibility and options to meet the unique needs of each room.

your SHAPE STORAGE

Flexible and climate-smart storage in modules

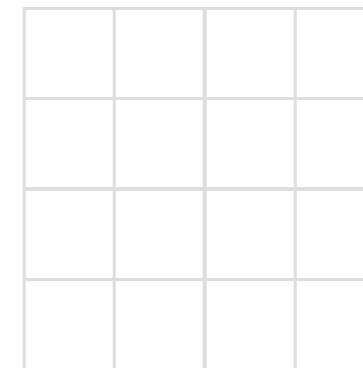


SHAPE YOUR STORAGE

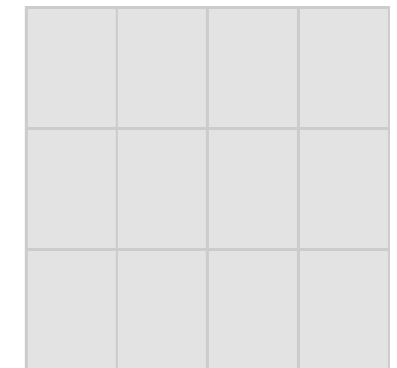
MODULES



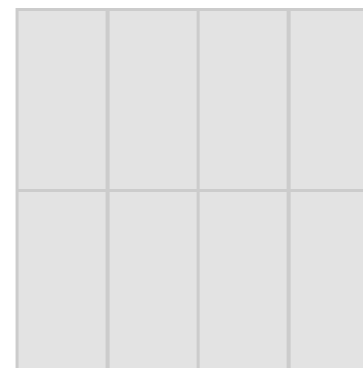
Personal Storage – Low
8-9



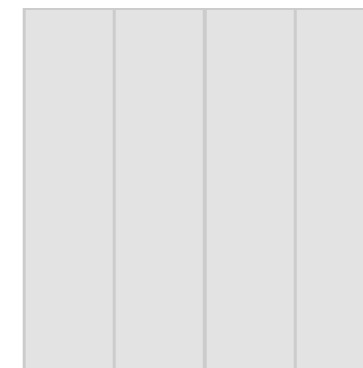
Open Storage
10-11



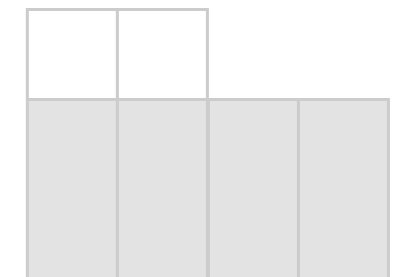
Personal Storage – Mid
12-13



Personal Storage – High
14-15



Wardrobe
16-17



Recycling Unit
18-19

CONFIGURE

Fittings	20-21
Accessories	21
Materials & colors	22-23

FOR THE FUTURE

Climate-smart	24-25
Sustainability	26-27
Configure	28-29



your SHAPE STORAGE

Dynamic and practical storage with a focus on flexibility and options to meet the unique needs of each room. All modules can be combined both horizontally and vertically.

Create your own storage by combining practical wardrobes with shoe racks, benches, and personalized storage. Doors are available in multiple heights and can be chosen with different types of locks, handles, and knobs. Add open or low storage to create the right ambiance in the room. The modules are installed on plinths that come in three optional heights.

DESIGN EDSBYN



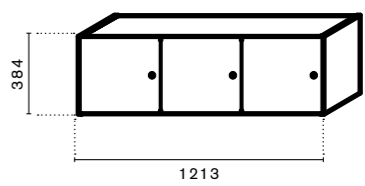
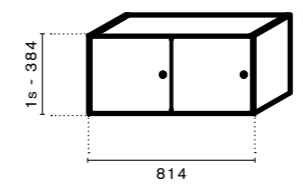
Shape Storage, like all our products, is designed to withstand daily use and high wear and tear in environments such as our offices, workplaces, and public spaces. The modules can be used individually or combined to create practical storage solutions, tranquil seating areas with a room within a room, or stylish shelves for decoration.



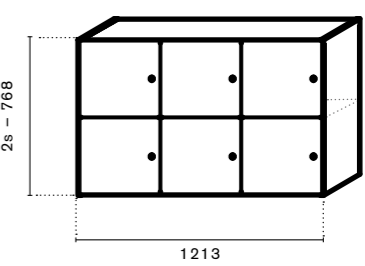
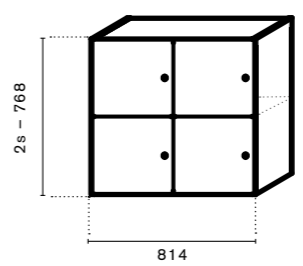
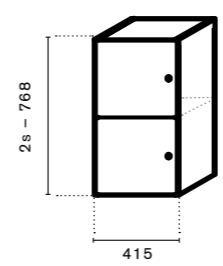
PERSONAL STORAGE – LOW



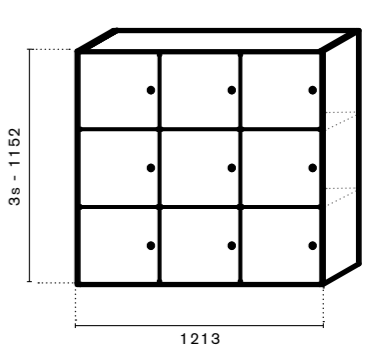
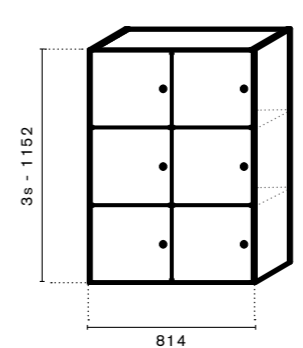
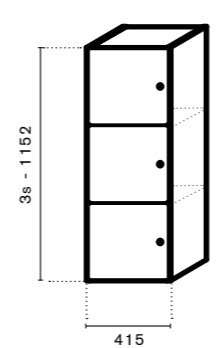
1S



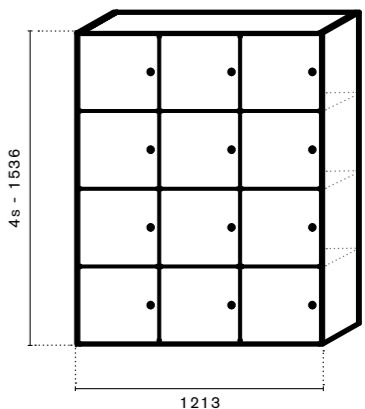
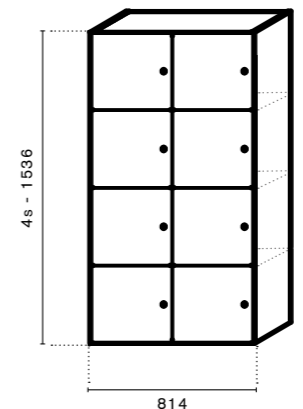
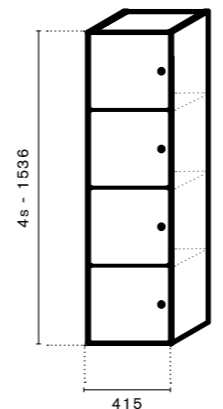
2S



3S



4S



DETAILS

Depth
431 mm, 485 mm & 596 mm
Plinth
30 mm, 128 mm & 320 mm

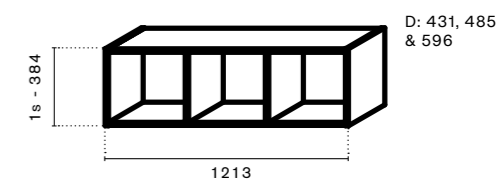
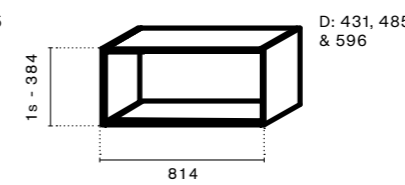
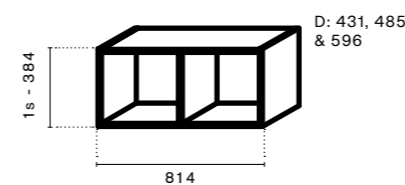
Door handing
Left- or right-hand doors



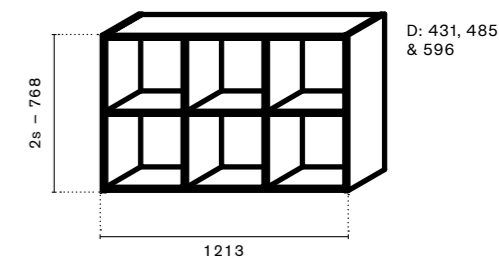
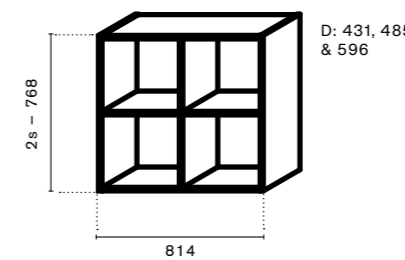
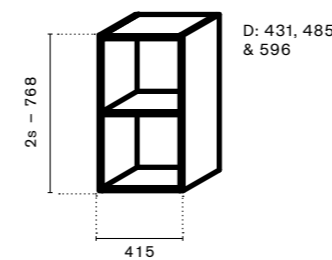
OPEN STORAGE



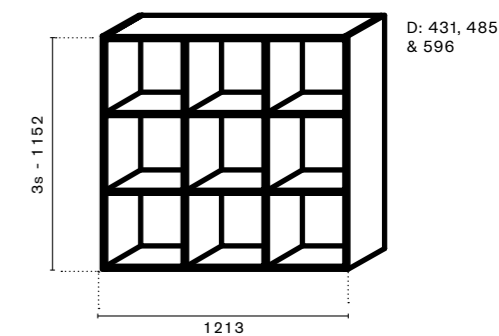
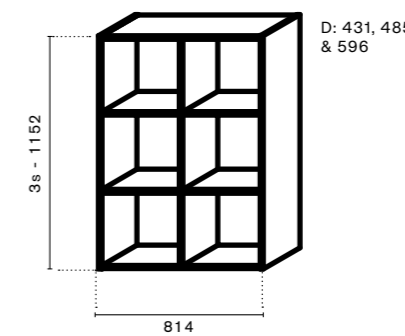
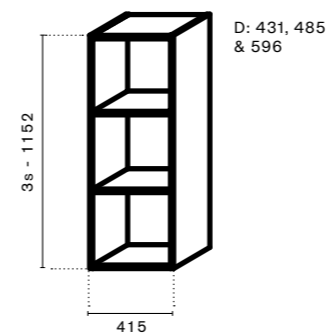
1S



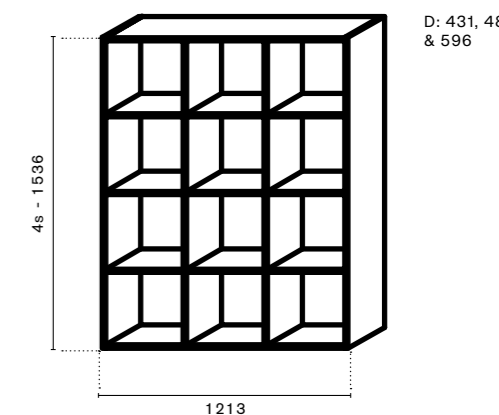
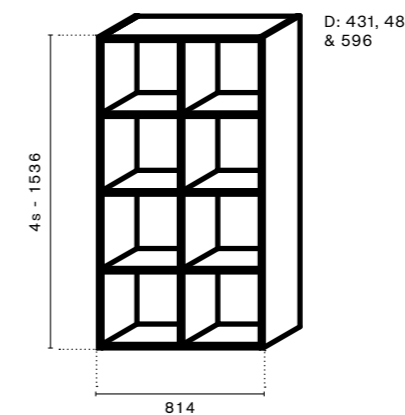
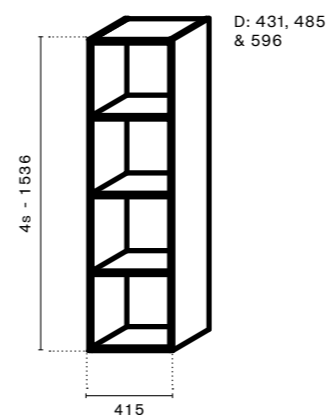
2S



3S



4S



DETAILS

Depth
415 mm, 485 mm & 580 mm

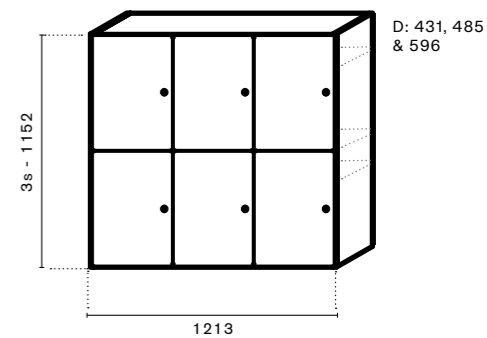
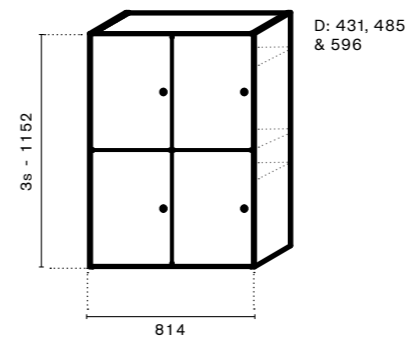
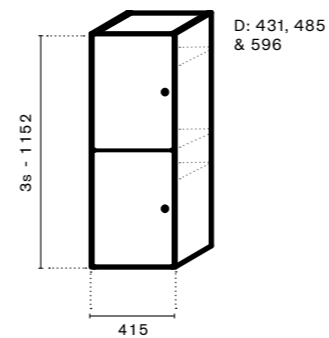
Plinth
30 mm, 128 mm & 320 mm



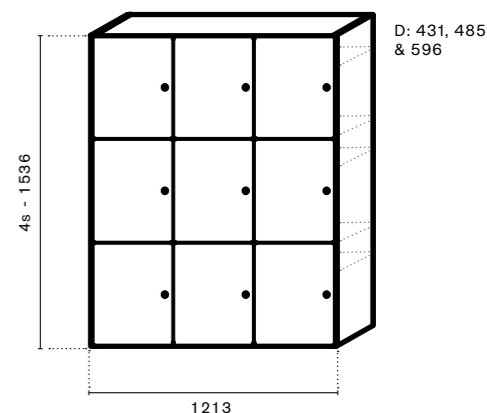
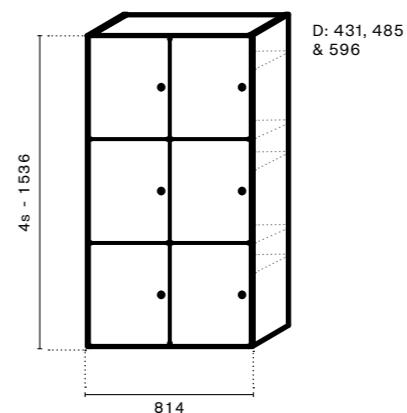
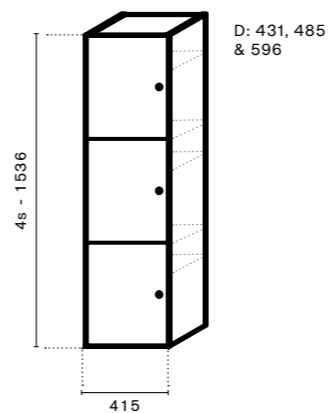
PERSONAL STORAGE – MID



3S



4S



DETAILS

Depth
431 mm, 485 mm & 596 mm

Plinth
30 mm, 128 mm & 320 mm

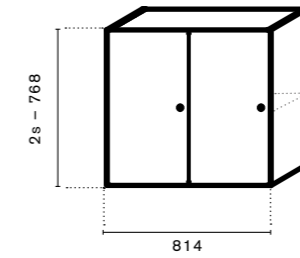
Door handing
Left- or right-hand doors



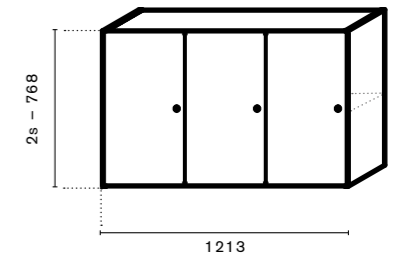
PERSONAL STORAGE – HIGH



2S

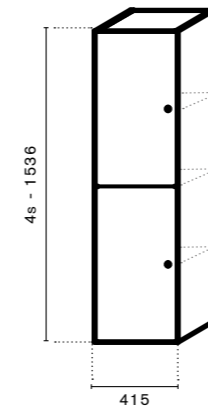


D: 431, 485
& 596

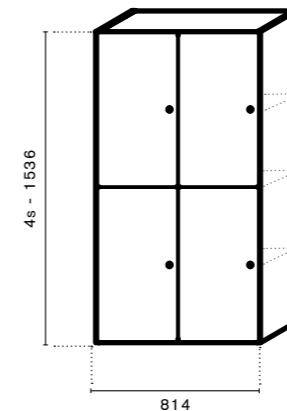


D: 431, 485
& 596

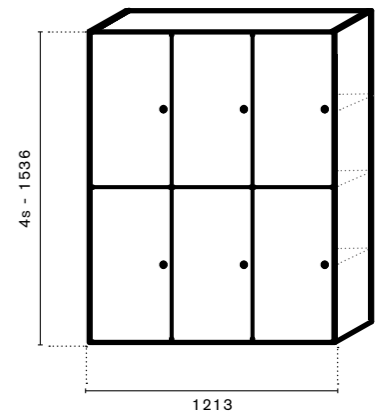
4S



D: 431, 485
& 596



D: 431, 485
& 596



D: 431, 485
& 596

DETAILS

Depth
431 mm, 485 mm & 596 mm

Plinth
30 mm, 128 mm & 320 mm

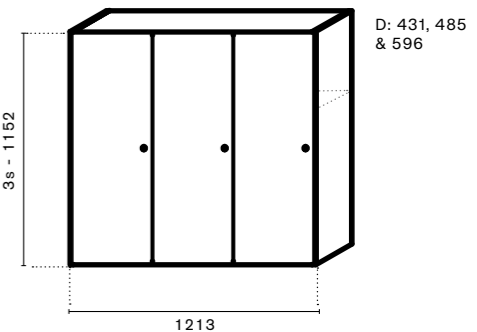
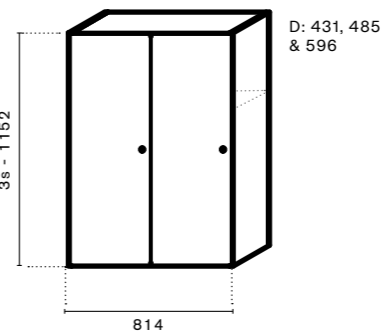
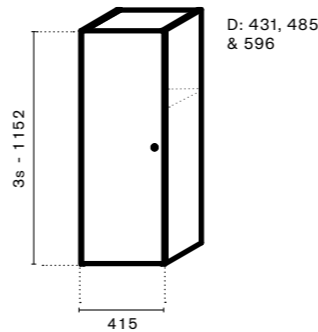
Door handing
Left- or right-hand doors



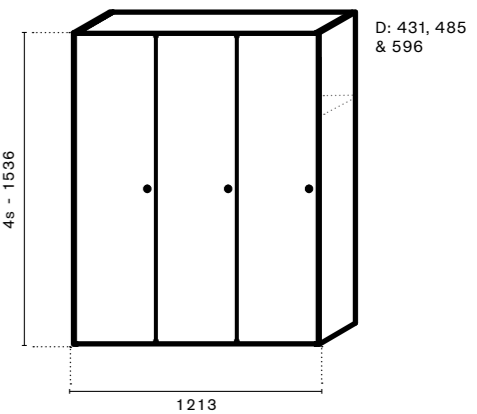
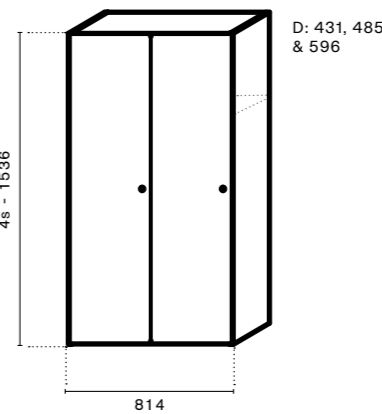
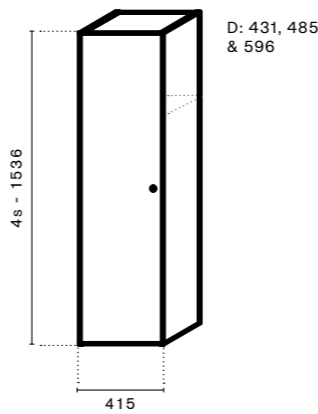
WARDROBE



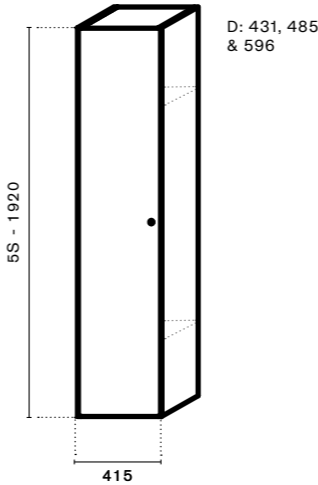
3S



4S



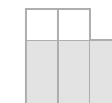
5S



DETAILS

Depth
431 mm, 485 mm & 596 mm
Plinth
30 mm, 128 mm & 320 mm

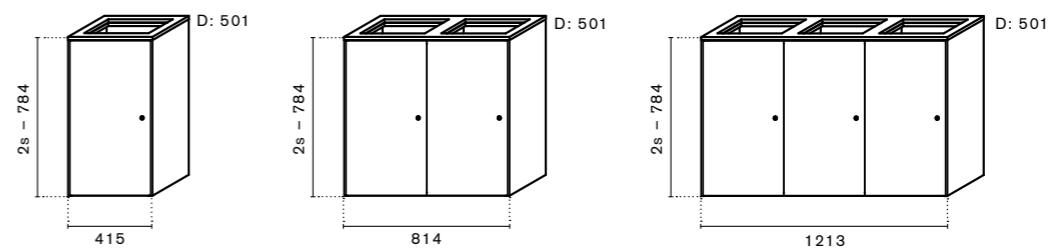
Door handing
Left- or right-hand doors



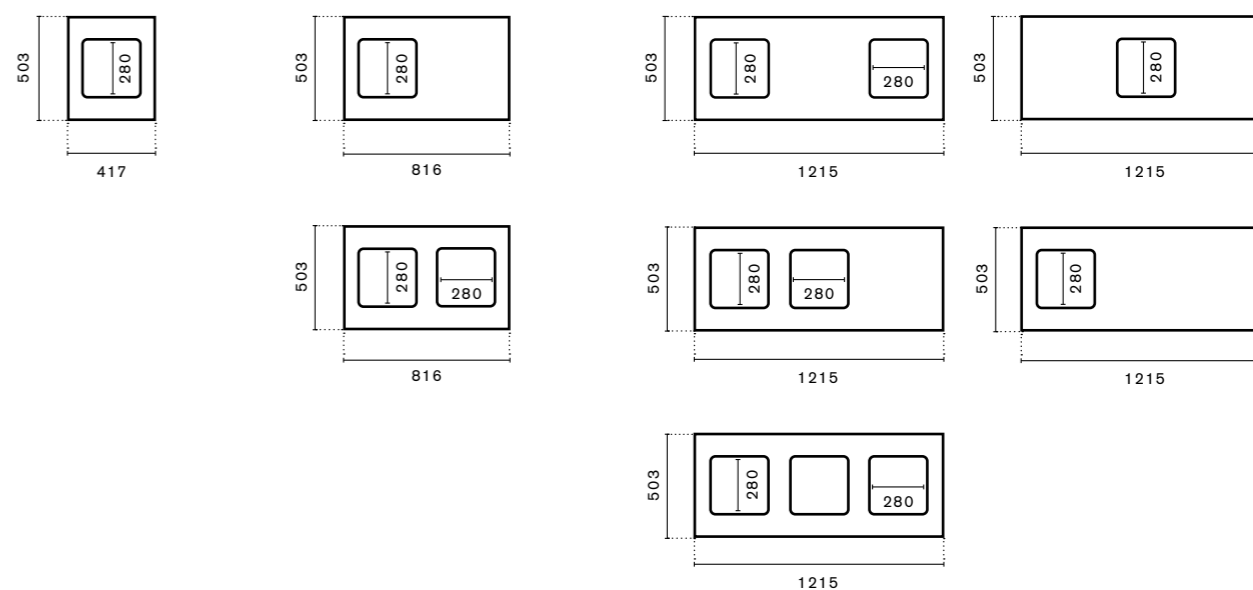
RECYCLING UNIT



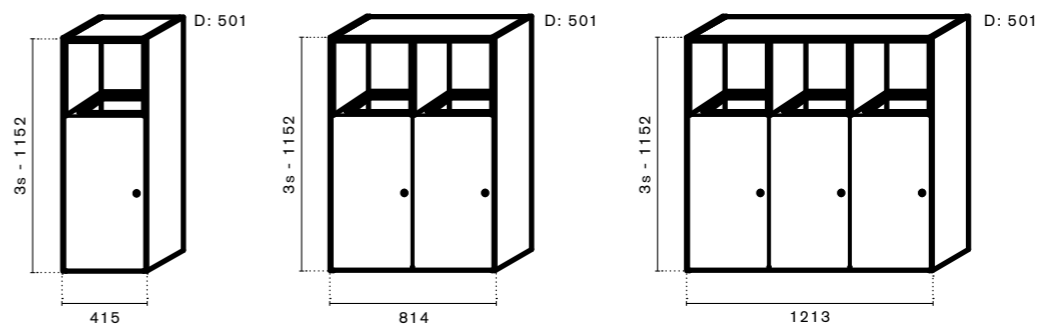
2S



2S – CREST TOP



3S



DETAILS

Depth
501 mm
Plinth
30 mm, 128 mm & 320 mm

Door handing
Left- or right-hand doors

FITTINGS

KNOB – PLAIN



Diameter: 25 mm
Height: 28 mm

Black, matte



White, gloss



Stainless look



HANDLE – SQUARE



Length: 137 mm
Width: 9 mm
Height: 28 mm

Black, matte



White, gloss

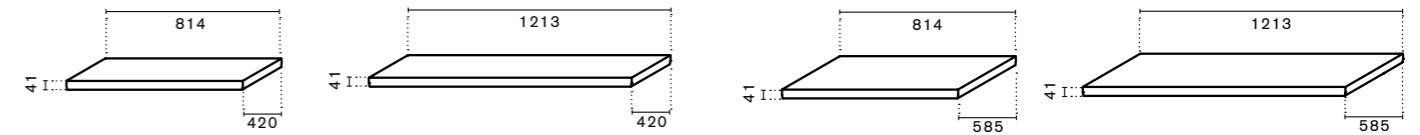


Stainless look



SEAT CUSHION

UPHOLSTERED



See the available selection of leather and textiles at myedsbyn.com



DOOR OPENER

PUSH-OPEN



Powerful and silent mechanism that opens the locker with a push.

Push-open cannot be combined with locks.

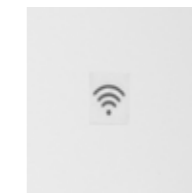
LOCKS

KEY



Standard lock
With Key

ELECTRIC LOCK



Electric Lock
EM (125 KHz) or Mifare (13,56 MHz).
Lock in open position by default (individual mode).

ACCESSORIES WARDROBE

The accessories below are included and varies depending on the selected wardrobe height

DEPTH 431:

- A shelf*
- Coat rack* or anchor hook
- Mirror, mounted on the inside of the door
- Shoe mat, black felt

DEPTH 596:

- A shelf*
- Coat rack
- Mirror, mounted on the inside of the door
- Shoe mat, black felt

* The 5S height includes two shelves. Additional shelves can be selected for a custom order.

** The 3S height is delivered with an anchor hook, not a coat rack.



MATERIALS & COLORS

A selection of materials and colors

1) CHOOSE THE MODEL OF YOUR MODULE

Start by selecting model of the module you want to configure.

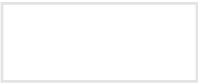
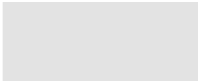

2) CONFIGURE THE MODULE

Choose material/color. The inside, outside, plinth, and back are delivered in the same consistent design as standard.






3) CONFIGURE THE DOORS

Configure the doors with material/color and handles/door openers. All doors are delivered in a consistent design as standard.

LAMINATE – PRICE RANGE 01

White	
Light Grey	
Dark Grey	




LAMINATE – PRICE RANGE 02

Birch	
Oak	
Oak White Glazed	
Ash, White Glazed	
Black Stained	

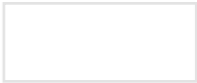
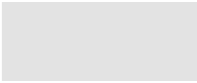

VENEER – PRICE RANGE 01

Birch, Natural	
Oak, Natural	

VENEER – PRICE RANGE 02

Oak, White Glazed	
Ash, White Glazed	
Black Stained	

LACQUER – PRICE RANGE 01





White	
Light Grey	
Dark Grey	

YOUR CHOICE OF COLOR – (LAQUER)

More optional colors are available as a custom order.



HPL – CREST TOP RECYCLING UNIT

White		Light Grey	
Dark Grey		Black	

YOUR CHOICE OF CONFIGURATION

More configurations are possible as a custom order.





Shape Storage is Swedish-designed and is manufactured upon order by our employees in Edsbyn's own furniture factory. Our location in the middle of the forests of Hälsingland is our origin and heritage that instills a natural respect for the raw material. Working with sustainability is a natural and significant part of our history.

CLIMATE-SMART

The modules are made from a high percentage of recycled wood

A long and thorough development process has resulted in a product with reduced material consumption and a lighter product for transportation.

All materials meet the requirements of Möbelfakta. Additionally, there is the option to choose recycling units, which becomes a natural part of everyday sorting.

100% RECYCLED WOOD

The chipboards used are made from 95% post-consumer waste and 5% pre-consumer waste.

15% LIGHTER TRANSPORT

Shape Storage has approximately 15% less weight than equivalent storages in our Access Storage series. This means lighter transports.

15% LESS MATERIAL USAGE

Approximately 15% less raw material is used for manufacturing Shape Storage compared to equivalent storages in the Access Storage series.

CERTIFIED MATERIALS

All components in the storage series, such as materials and lacquer, are certified according to Möbelfakta.

DEVELOP AND CHANGE

Modules, fronts, and shelves can easily be replaced or added separately to allow Shape Storage to grow with the changing needs of the business.

BIOBASED LACQUER

A large portion of the lacquer we use is bio-based and 100% biodegradable. One year's expected consumption of bio-based lacquer by Edsbyverken corresponds to an environmental savings of over 3000 kg CO₂e and is the saving expected in 2024 with bio-based fuels versus fossil-based. This can also be compared to approximately 1500 miles in a fossil-fuel-driven car.



Edsbyn has existed for over 120 years, the secret of our success is the ability to change and adaptation.

SUSTAINABILITY

Edsbyn strives to be your first choice while sourcing furniture where sustainability and care for the environment is key. We work constantly to improve our processes in production and carefully select all of the materials we use



ISO-CERTIFIED PRODUCTION

Edsbyverken is certified according to quality and environmental management standards ISO 9001 and ISO 14001. We expect materials from our suppliers to fulfil the criteria for environmental certification – and we require our suppliers to accept ethical and social responsibility, just like Edsbyn does.

ISO 9001 – Quality Management System
The QMS is a tool to reach continuous improvements and adjust the business to meet customers needs. It includes everything from how you meet your customers needs to avoiding malfunctions.

ISO 14001 – Environmental Management System
An EMS according to ISO 14001 is a systematic and structured approach for all types of organizations to reduce environmental impact, and used in the right way it also supports continuous improvements for the business.



CERTIFIED PRODUCTS

Certified according to Möbelfakta means: Technical quality standards for sustainability, stability and safety and for surface resistance.

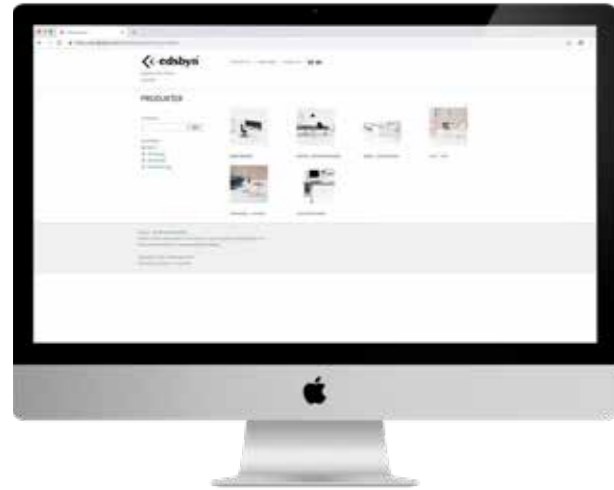
Environmental standards for materials and products.

The environmental standards primarily relate to raw materials and components used during manufacture, while the product standards relate to the completed item of furniture.

Producers and subcontractors undertake systematic occupational health and safety work and comply with current occupational health and safety legislation.

CONFIGURE

MY.EDSBYN.COM – Configure your Edsbyn product & create quotation



Configure colours and surface finishes of your products to create a quotation directly in My Edsbyn. When you get your quotation approved by Edsbyn, You can then use the quote to submit an order to Edsbyn's Order Department.

Send us an e-mail for your login details to My Edsbyn (my.edsbyn.com): support.create@edsbyn.com.

PCON.PLANNER ME – Configure your Edsbyn product & create 3D floor plans



Create a 3D floor plan by configuring Edsbyn products directly in pCon.planner ME. Export your 3D room plan to transform it to a quotation in My Edsbyn.

Log in at My Edsbyn to download pCon.planner ME. my.edsbyn.com.

ORDER CONFIRMATION

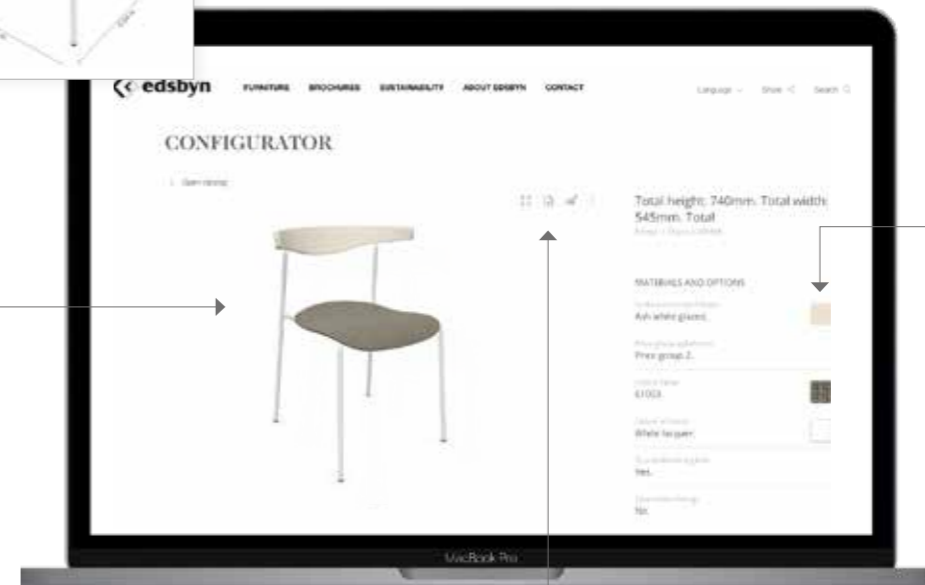
OE within 48 h. Check your order confirmation within 48 h. Any changes after this date mean that your order will be treated as a new order and be given a new delivery date.

DELIVERY TIMES (excl. transport)

The average delivery time is approximately 20-40 days and varies depending on the type of order. Please contact your nearest retailer for order and delivery inquiries.

EDSBYN.COM – Configure & create product images

Get detailed product info

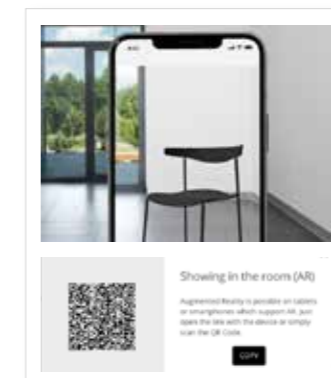


Choose appearance



Download product sheet

Download images at preferred angles



AR - View in real environment

your
SHAPE STORAGE

EDSBYN