

Arc Chair

Design Jens Fager



An elegant and comfortable wooden chair, which due to its light weight, is easy to move around and makes it a perfect chair for environments such as dining rooms, restaurants, cafés, meeting rooms, and in your home.

In 2018, Jens Fager was granted the honor of designing a stool for the Swedish National Museum. He enlisted the help of the Edsbyn woodshop, and the Arc Stool was born – a solid wooden stool with a characteristically Nordic design.

A wooden chair is a natural step to further develop the Arc series. Together with Edsbyn, Jens Fager has created a stripped-down and sturdy chair that we are proud to name Arc Chair. With its soft lines and edges in Scandinavian design, this seating piece of furniture is a joy to sit in.

Materials

Ash White Glazed

Oak Solid – Natural Colored

Oak Solid – Black Stained



Arc Chair

Design Jens Fager



Solid Wood & Formed Veneer

With comfort in focus



The shapes are made of high-quality solid wood, and the chair's seat is constructed with formed veneer, offering a high level of comfort. The Arc Chair is neat and lightweight, which makes it flexible and easy to move around.

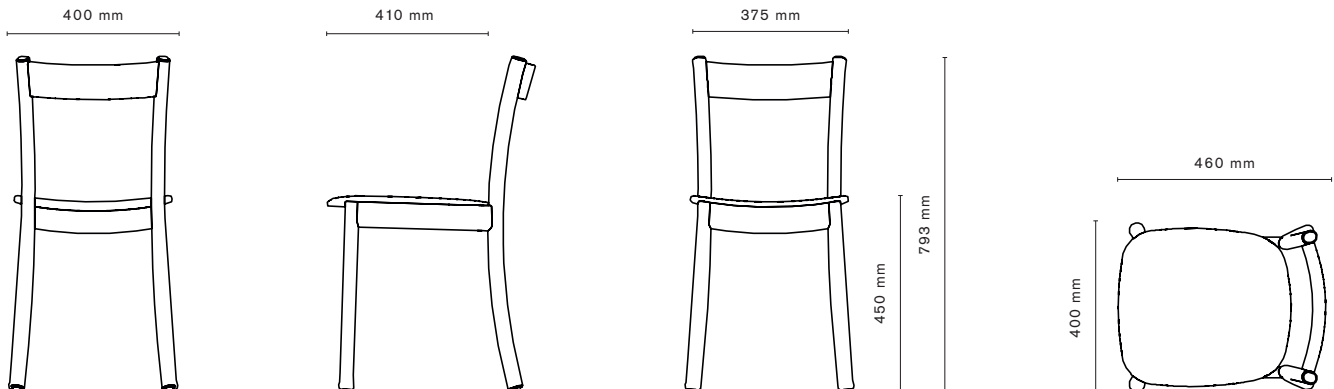
Design

Design Jens Fager



Jens Fager has designed the Arc Stool and it is therefore a natural step to further develop the Arc series. Together with Edsbyn, he has created a stripped-down and sturdy chair that allows you as a user to sit comfortably.

Measurements



Sustainability

Certified Production



Edsbyverken is certified according to quality and environmental management standards: ISO 9001 and ISO 14001.

Certified Products



Certified according to Möbelfakta means: Technical quality standards for sustainability, stability and safety and for surface resistance.

Environmental standards for materials and products.

EDSBYN